

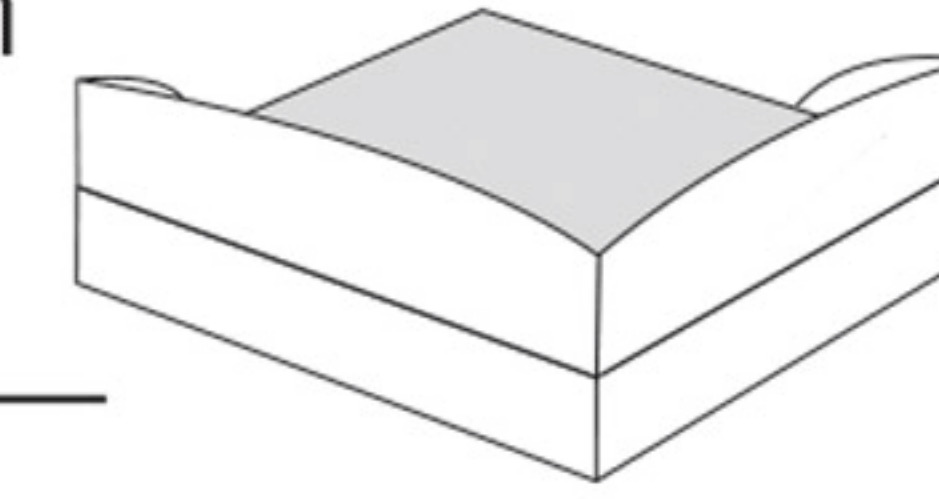
S9524

Easy

PET BEDS AND STUFFED PILLOW TOY

Fabrics: Designed for lightweight woven fabric. **A1, B1, C:** Twill, Canvas, Synthetic Suede, Upholstery-Weight Fabrics. **A2, B2:** Minky Fleece, Low Pile Synthetic Fur. **C** also in Cotton Types. **Interfacing A,B:** Headliner Utility Fabrics. **Interfacing C:** Low-Loft Batting.

Notions: Polyester Fiberfill.



A

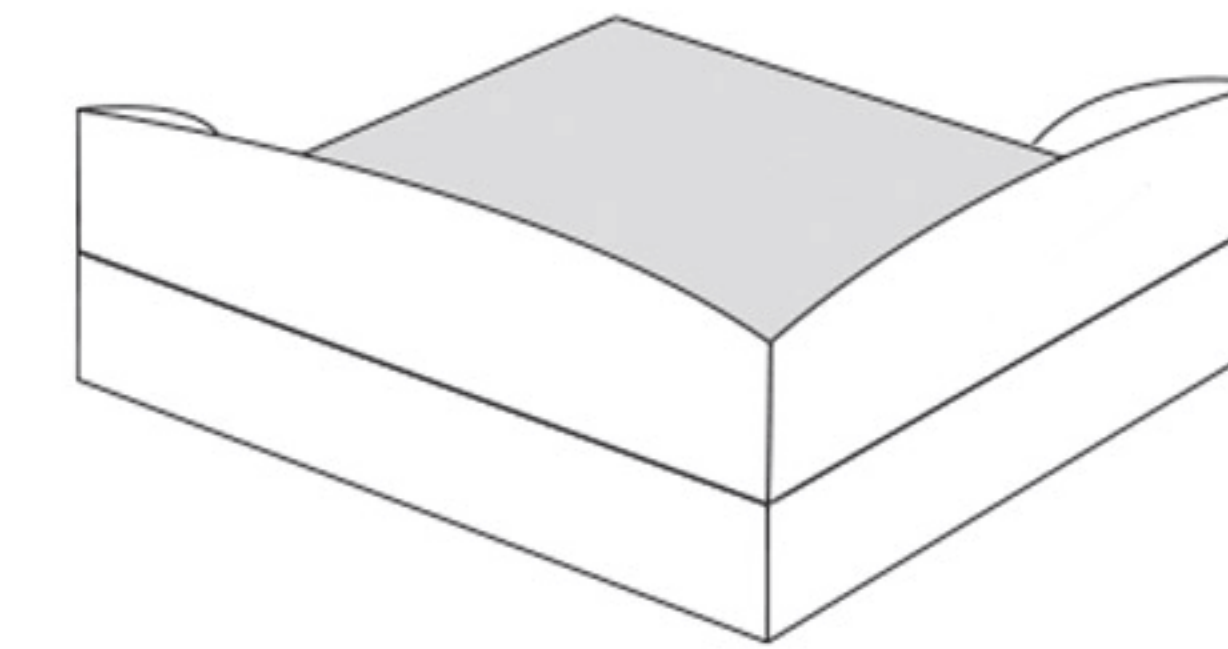
Pet Bed A - 24" x 24" x 12" (61cm x 61cm x 31cm)

Fabric 1 (Bottom, Sides, Bolsters): 45"/** - 2⁵/₈ yds. (115cm*/** - 2.4m)

60"/** - 1¹/₂ yds. (150cm*/** - 1.4m)

Fabric 2 (Top): 60"/** - ⁵/₈ yd. (150cm*/** - 0.6m)

Interfacing A: 54"/** - 2 yds. (137cm*/** - 1.9m)



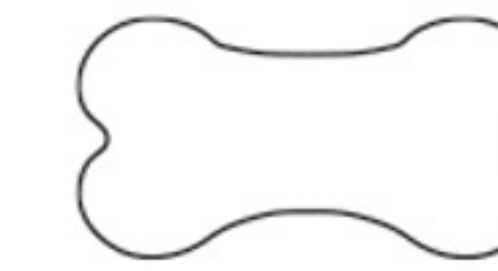
B

Pet Bed B - 36" x 36" x 16" (92cm x 92cm x 41cm)

Fabric 1 (Bottom, Sides, Bolsters): 45, 60"/** - 3¹/₂ yds. (115, 150cm*/** - 3.2m)

Fabric 2 (Top): 60"/** - 1 yd. (150cm*/** - 1.0m)

Interfacing B: 54"/** - 4¹/₂ yds. (137cm*/** - 4.2m)



C

Bone Pillow Toy C

Stuffed Pillow Toy C (Bone): 45"/** - ³/₄ yd. (115cm*/** - 0.7m)

60"/** - ¹/₂ yd. (150cm*/** - 0.5m)

Interfacing C: 26" x 26" (66cm x 66cm)

*with nap **without nap