

M8267

23 PIECES

Average
Moins Facile

CHILDREN'S KNIT DRESSES

Suggested Fabrics: 35% Moderate Stretch Knits such as Cotton Knits. **Interfacing:** Fusible Knit.

Notions: A,B,C: ¼ yd.(0.7m) of ¾" (1cm) Elastic. **Also for A:** One Pkg. of ½" (1.3cm) Single Fold Bias Tape.

Sizes	2	3	4	5	6		
Dress A	60"*	1	1⅛	1⅛	1½	1¾	Yds.
Fusible Interfacing A - 20" - ¾ yd.							
Contrast A1, Contrast A2 (each)							
	60"*	⅝	⅝	⅝	¾	¾	Yd.
Dress B	60"*	1¼	1¼	1¾	1½	1⅝	Yds.
Fusible Interfacing B - 20" - ¾ yd.							
Contrast B1, Contrast B2, Contrast B3, Contrast B4 (each)							
	60"*	⅝	⅝	⅝	¾	¾	Yd.
Dress C	60"*	1⅛	1¼	1¾	1¾	1⅞	Yds.
Fusible Interfacing C - 20" - ¾ yd.							
Contrast C1, Contrast C2, Contrast C3, Contrast C4 (each)							
	60"*	⅝	⅝	⅝	¾	¾	Yd.

FINISHED GARMENT MEASUREMENTS

A,B,C Chest	22½	23½	24½	25½	26½	Ins.
A,B,C Waist	21¾	22¾	23¾	24¾	25¾	"
Back length from base of neck						
Dress A,B,C	22½	24	25½	27½	29½	Ins.

ROBES EN TRICOT POUR ENFANTS

Tissus Conseillés: Tricots à élasticité moyenne (35% en largeur) - Tricots de Coton. **Entoilage:** Tricot Thermocollant.

Mercerie: A,B,C: 0.7m d'élastique de 1cm. **Aussi pour A:** 1 paquet de ruban de biais simple de 1.3cm.

Tailles	2	3	4	5	6		
Robe A	150cm*	1.0	1.1	1.1	1.4	1.5	m
Entoilage Thermocollant A - 51cm - 0.4m.							
Contraste A1, Contraste A2 (chacun)							
	150cm*	0.6	0.6	0.6	0.6	0.7	m
Robe B	150cm*	1.2	1.2	1.3	1.3	1.5	m
Entoilage Thermocollant B - 51cm - 0.4m.							
Contraste B1, Contraste B2, Contraste B3, Contraste B4 (chacun)							
	150cm*	0.6	0.6	0.6	0.6	0.7	m
Robe C	150cm*	1.1	1.2	1.3	1.6	1.8	m
Entoilage Thermocollant C - 51cm - 0.4m.							
Contraste C1, Contraste C2, Contraste C3, Contraste C4 (chacun)							
	150cm*	0.6	0.6	0.6	0.6	0.7	m

MESURES DES VÊTEMENTS FINI

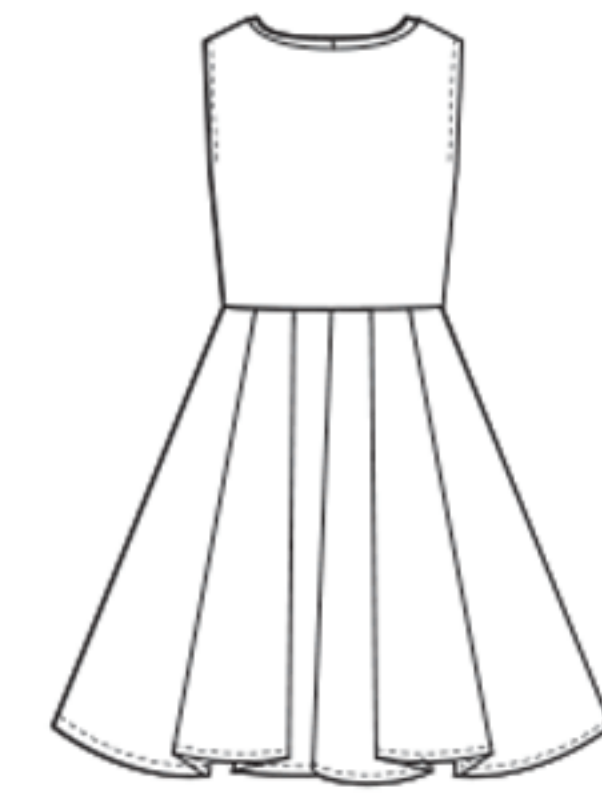
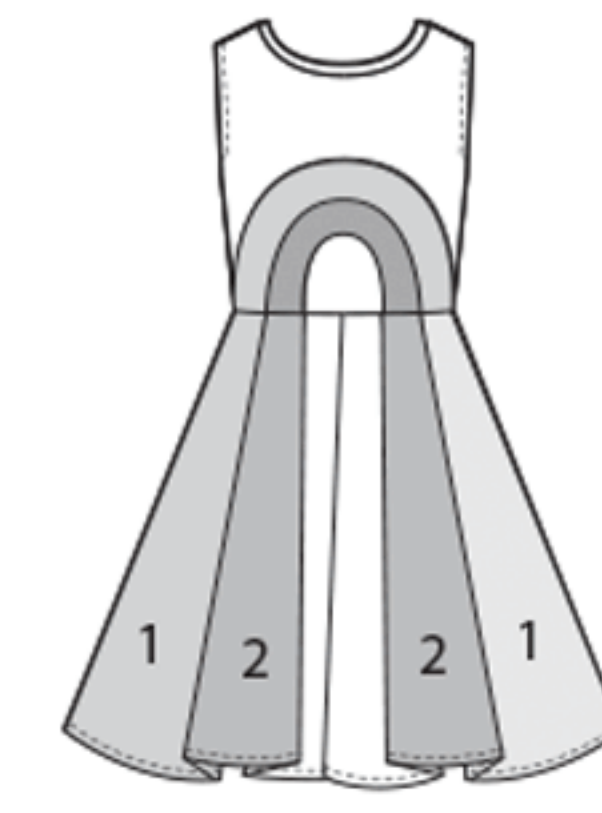
A,B,C Poitrine	57	59	62	65	67	cm
A,B,C Taille	55	58	61	63	66	"

Longueur— dos, votre nuque à l'ourlet

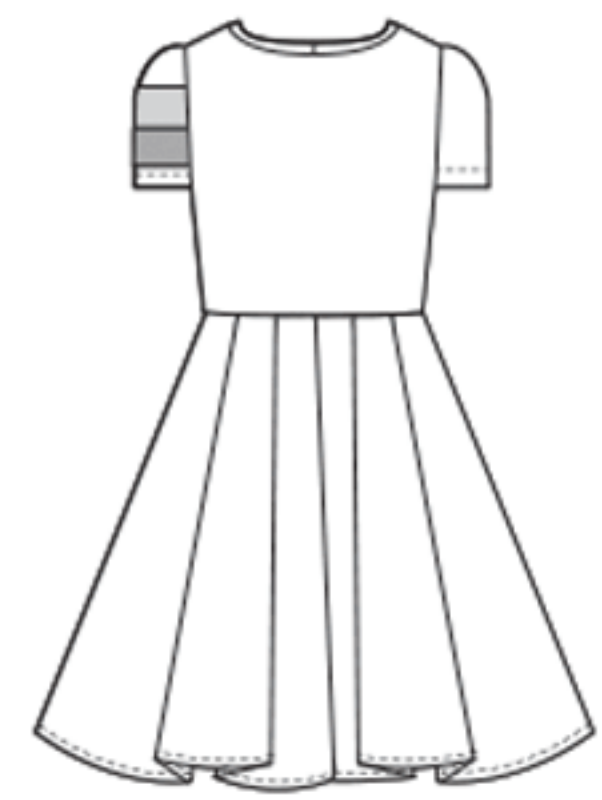
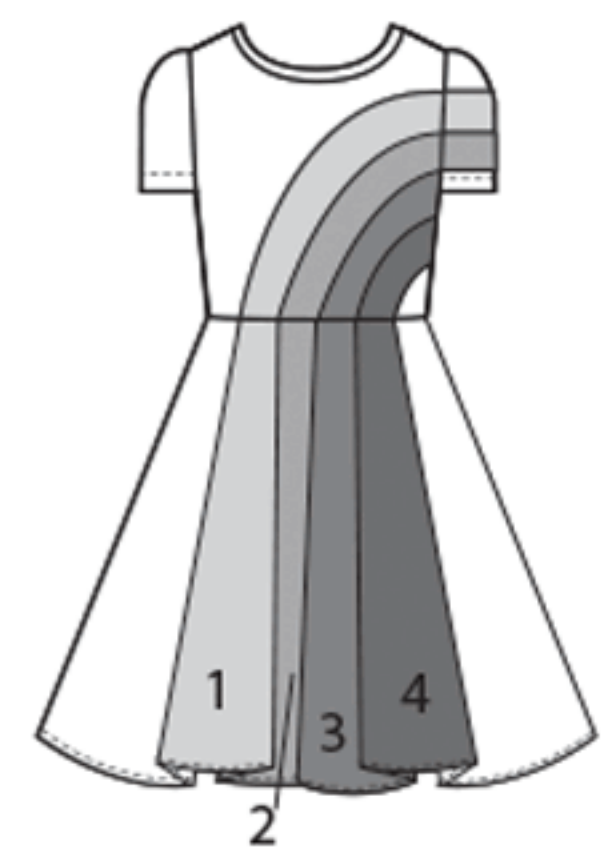
Robe A,B,C	57	61	65	70	75	cm
-------------------	----	----	----	----	----	----

*with nap **without nap ***with or without nap

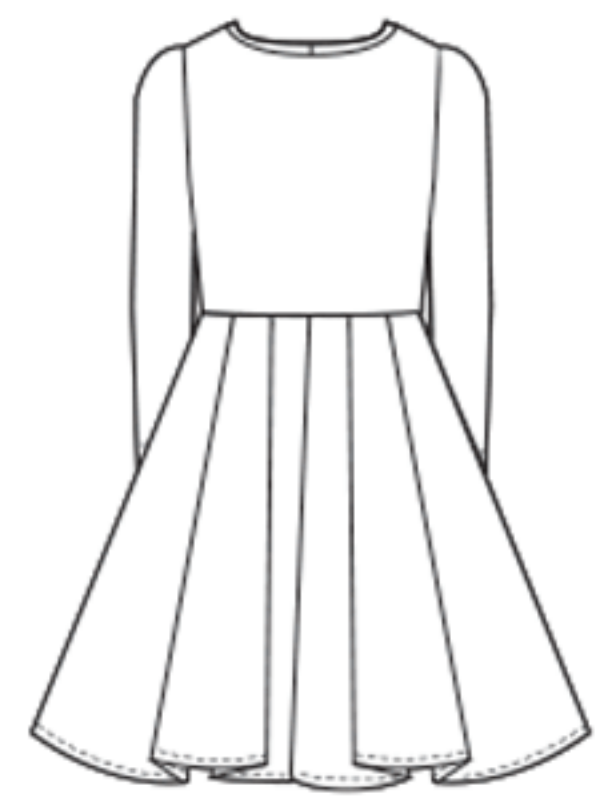
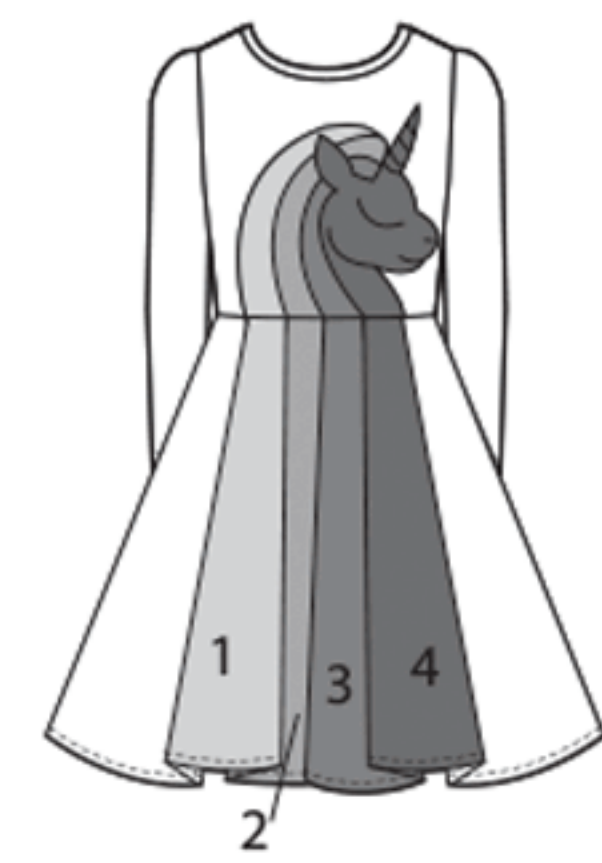
*avec sens **sans sens ***avec ou sans sens



A



B



C